



## **Installation instructions:**

- Heritage Fence
- Artwood Fence



This instruction is applicable for White Heritage Fence and Wood-alike Artwood Fence

Before you start with the installation of the Fence it is important to note a few things. Below we indicate the steps that need to be made prior to installation.

1. Check with local authorities for the presence of underground cables, pipes or other objects before you start drilling the holes
2. Check with local authorities for any permits that are necessary to have the fence in your location.
3. Always set up the lines of fence with wire or a laser before marking the holes and decide on the height of the fence. Check the recommended height in the back of this manual.
4. Decide the starting point of the installation. In case the fence will be built on level ground. The height of the first pole marks the height of all poles.
5. Only start using the fence after it is completely finished.
6. In case you use a hydraulic drill for the holes we recommend you use a drill with a diameter of 20cm.
7. In case you have any doubt or questions then please contact Heritage Products or your local dealer for support in the installation.
8. For paddocks and areas where horses are walking free, Heritage Products advises to use electric wire on the posts. Heritage Products gladly advises on the various options.

For the installation of Heritage Fence and Artwood Fence you will need a number of tools and items. Below we give a list of the minimal things you will need:

- Waterlevel or laser
- Battery powered drill with drills: 8mm and 5mm
- Grounddrill (hand or hydraulic). Size 20cm.
- Rubber hammer
- Wire line with pickets
- Small hammer for the nails
- Shovel
- Compactor for the ground surrounding the posts (see photos)
- Tape measure

For gate the following is needed additionally:

- Set wrenches sizes: 13 en 17
- Roll of strong tape (at least 5cm wide)
- Concrete mix
- Bucket for mixing concrete
- Funnel for pouring concrete into the posts
- Vibrating pen for concrete

In this manual you will find several accessories and items being referred to. Below we show the most common accessories used in the construction of Heritage Fence and Artwood Fence



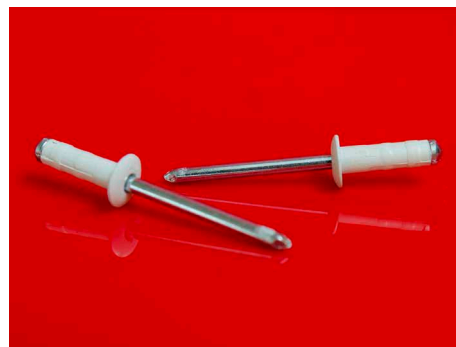
**Screw for rails**

To fix the rail in the post. This screw goes in a hole drilled on the topside of the rail.



**Nails for caps**

To fix the caps onto the posts. They require a drill 5mm and a hammer to be installed.



**Popnails**

To fix railholders and gate sockets to the posts. They require a special tool to fix them.



**Postcap**

To finish the posts of the fence. They are secured with 2 small nails for caps.



**Postcap Artwood light bronw**

To finish the posts of the fence. They are secured with 2 small nails for caps.



**Postcap Artwood dark bronw**

To finish the posts of the fence. They are secured with 2 small nails for caps.



**Gate socket**

Used to fix rails into a post. Common in gates for the fence. This is fixed with 8 popnails.



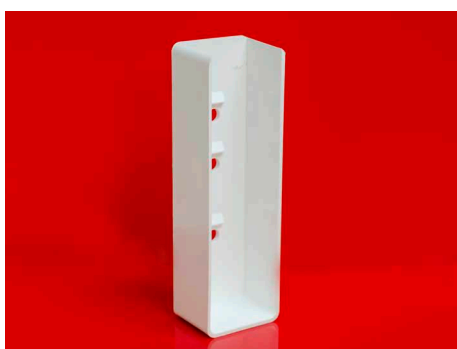
**Isolator**

For threading electric wire alongside the white Heritage Fence.



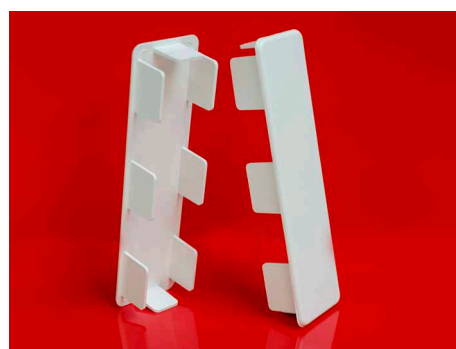
**Isolator**

For threading electric wire alongside the Artwood Fences.



**Railholder**

To hold the rail against a post. Used for openings in low dressage fence.



**Rail endcap**

Used on rails when they stick out of a post. For example in a special corner.



## Heritage Fence / Artwood Fence installation

Steps to follow with the installation of Heritage Fence and Artwood Fence 2-rail or 3-rail fence.



Mark the location of the first post. Use a laser or wire to set out the straight lines. Beware when you have end posts for gates. Follow the additional instructions you will find later in the manual.



The distance between the posts is 253cm measured from the centre of the posts. Mark the position of the posts on the ground.



Drill the holes with a handdrill or hydraulic drill. Make sure there are no stones or roots left in the hole. Make sure the hole is 20cm less deep than the total depth of the posts so you can hammer them down for the remaining 20cm. The holes should have a diameter of 20cm.



Set the poles in the holes and fix them loosely with some dirt that came out of the holes. This makes it much easier to hammer them down straight.



Use a large rubber hammer and waterlevel to hammer down the poles to the desired depth. Make sure the posts are level on all sides.



Use a drill size 8mm to drill a hole at 1,5cm from the ends of each rail. The holes should be on the topside when the rails are slid into the posts. The holes are for the fixing screws.



When you hammer down the posts it is practical to have a rail already inserted in the bottom row. You can use this rail as a guide for your level or laser. When you slide in the rails, make sure they do not scratch alongside the previous post. You can easily bend to rails to prevent this from happening.

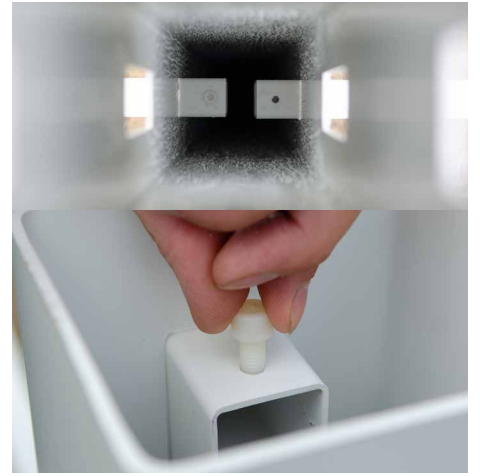




Use a level or laser to set the post to the required height.



The posts can now be stabilised. Fill the holes with the dirt and compact it with a stamper. Use a waterlevel to keep the posts straight.



When a rail is inserted into the posts you can fix them with a screw.



When the bottom rail is hard to reach then you can use a steel rod with a bit of tape at the end to make it a bit thicker.



Slide the other rails in the posts now. Work from the bottom to the top.



When the rails are inserted and the posts are fixed you can finish the fence with the posts caps.



Drill a hole on 2 sides of the cap while holding down to cap on the post (drill 5mm). Put a nail in each hole.



The nails go in the hole on the side where the 4 'legs' are. Use a hammer on the pin that sticks out to fix the nail.



Make sure you hit the pin straight on to prevent it from breaking of.



## Heritage Fence - Installation of the gates

Steps involved with the installation of Heritage Products gates. These apply for both White Heritage Fence and Artwood Fence. Below are a few things you need to consider before starting to install the gates in the fence.

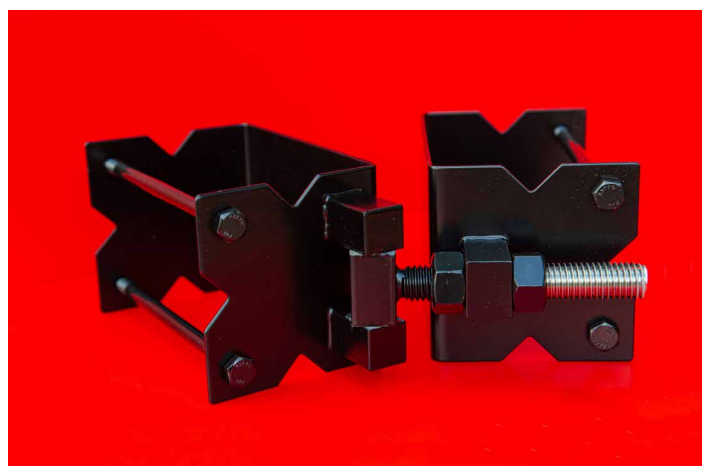
When you install a gate it is very important that the post where the gate hangs of is stabilised and filled with concrete. This prevents the post from leaning in later.

The hole around the post and the post need to be filled with concrete to just under the edge. The concrete might take up to 7 days to fully set depending on the type used and the weather conditions.

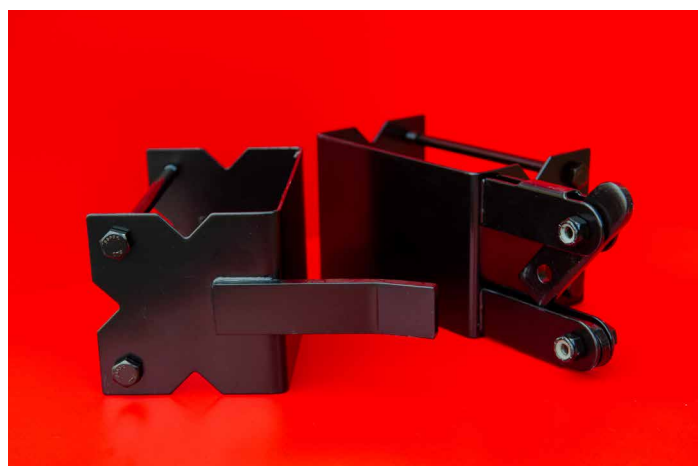
After you pour the concrete in the post it is important to use a vibrating needle to get all the air pockets out.

Below an overview of the most used items in the gate installation. The photos show the accessories in fully assembled the correct way. Always check if the accessories are like this before installation. In the back of this manual you will find an additional info sheet regarding the droppin set.

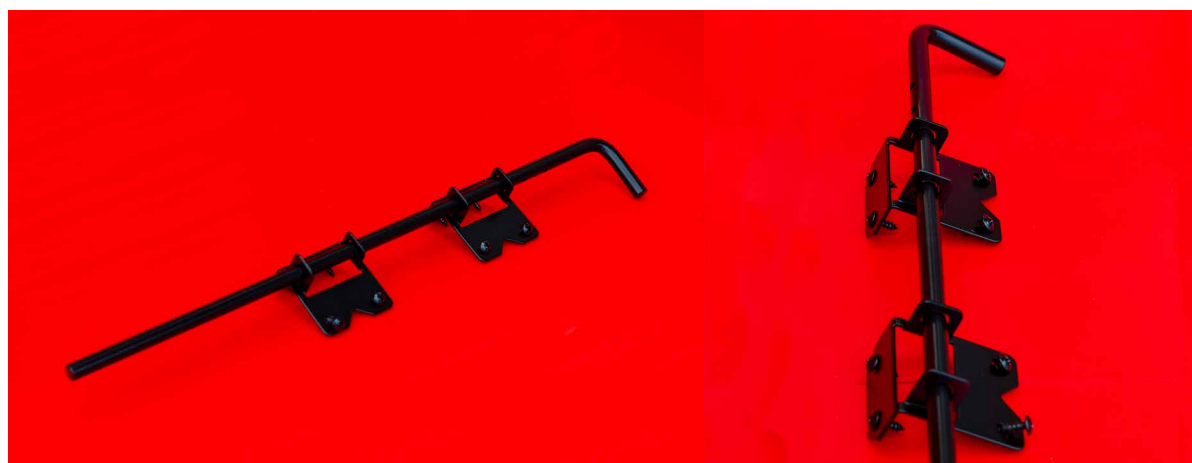
**Hinge set**



**Lock set**



**Droppin set**



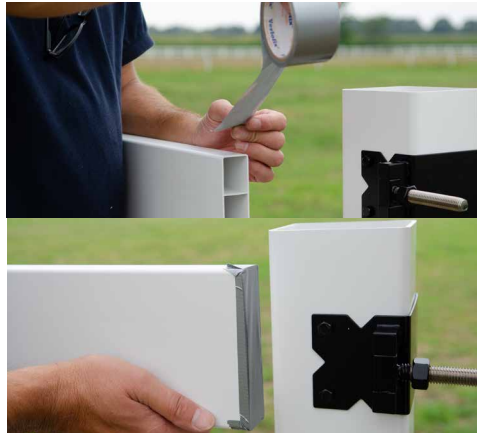


## Installing a single gate

Steps to follow with the installation of a gate with 1 set of hinges and 1 lock. The gate has 1 gating.



Determine the location of the posts and install the posts like mention above in this manual except you do not fill the hole with dirt and make the hole a bit larger for the post where the hinges will go. This hole will be filled with concrete later. The space between the post should be the size of the gate + 6cm.



To prevent concrete from leaking into the rails later you have to close the end with sturdy tape.



Mark the position of the hinge on the post. The topside of the hinge should be at 7,5cm from the top to have it align with the middle of the top rail.



Mark the position of the holes on both sides while holding the hinge in place.



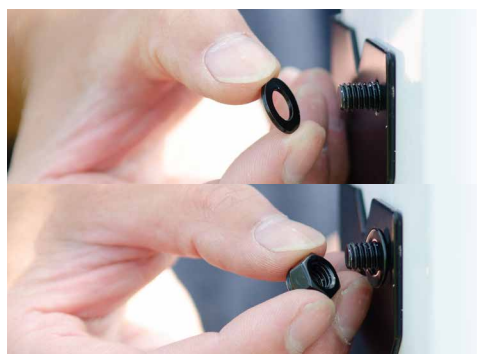
Drill the holes with size 8mm. Make sure the holes are aligned straight so the bolts can go through easily.



Push the bolts through the hinge and the holes and fix them with the washers and nuts supplied.



Repeat the steps for the bottom hinge. The top side will be at 89,5cm (3-rails) or 99,5cm (2-rails) from the top of the posts. Mark the holes and drill them.



Now fix the hinge parts on the gate using the exact same measurements as on the post to align the 2 parts of the hinge.



When you drill the holes in the gate you will need to go through the rails and railholders. Make sure you drill in a straight line to make sure the bolt will fit.



Fix the hinge on the gate in the same way as on the post.



Mark the position of the lockset on the post. The lock is centered in the middle of the top rail at 7,5cm from the top of the post.



Drill the holes on both sides of the posts with drill size 8mm.



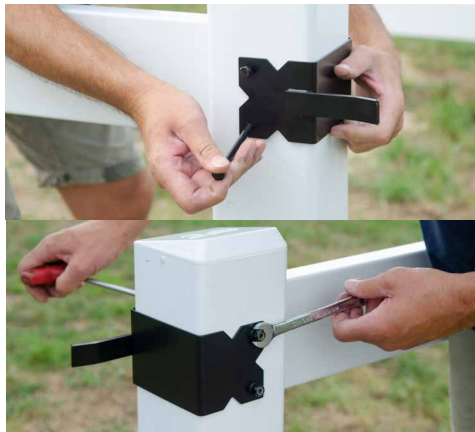
Fix the lock part on the post with the washers and nuts.



Tighten the nuts on the lock mechanism as well. Beware that the protruding plate is on the top for easy opening of the gate.



Mark and drill the holes of the lock part on the gate with drill size 8mm.



Install the lock part on the gate.



When the locks and hinges are installed you can fill the hole surrounding the post (Hinge side) with concrete. Leave a bit of space to fill with dirt/grass later.



Fill the post about 1/3 with concrete. Use a funnel for easy pouring.



Place the rebar rod in the post and make sure it does not touch the bolts of the hinge.



Now fill the rest of the post up to 3cm from the top with concrete. Make sure to vibrate out any airpockets in the concrete.





The rebar should be completely submerged under the concrete to prevent rust. Let it set completely before hanging the gate.



Unscrew the outer bolts from the hinges and hang the gate on the wirethreads of the hinge.



Now add the second bolt and use the position of the 2 bolts to level the gate and set it exactly in the middle between the two posts.



When the gate is finished you can fill the remaining holes in the ground with dirt to make it look even across the fence.

Last step is to install the posts caps. Use the instructions above in this manual.



## Installing a double gate

Steps to follow with the installation of a gate with 2 sets of hinges and 1 lock. The gate has 2 gatewingings.



Determine the location of the posts and install the posts like mention above in this manual except you do not fill the hole with dirt and make the hole a bit larger for the post where the hinges will go. This hole will be filled with concrete later. The space between the post should be the size of the gates + 9cm.



To prevent concrete from leaking into the rails later you have to close the end with sturdy tape.



Mark the position of the hinge on the post. The topside of the hinge should be at 7,5cm from the top to have it align with the middle of the top rail.



Mark the position of the holes on both sides while holding the hinge in place.



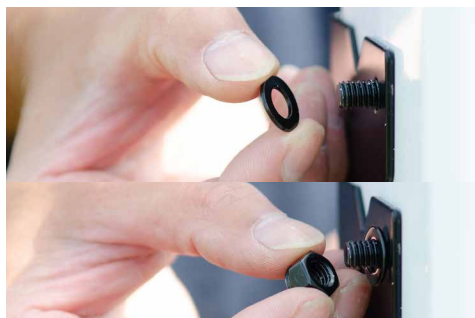
Drill the holes with size 8mm. Make sure the holes are aligned straight so the bolts can go through easily.



Push the bolts through the hinge and the holes and fix them with the washers and nuts supplied.



Repeat the steps for the bottom hinge. The top side will be at 89,5cm (3-rails) or 99,5cm (2-rails) from the top of the posts. Mark the holes and drill them.



Now fix the hinge parts on the gates using the exact same measurements as on the post to align the 2 parts of the hinge.



When you drill the holes in the gates you will need to go through the rails and railholders. Make sure you drill in a straight line to make sure the bolt will fit.



Fix the hinge on the gates in the same way as on the post.



Mark the position of the lockset on the right gating. The lock is centered in the middle of the top rail at 7,5cm from the top of the post.



Drill the holes on both sides of the posts with drill size 8mm.



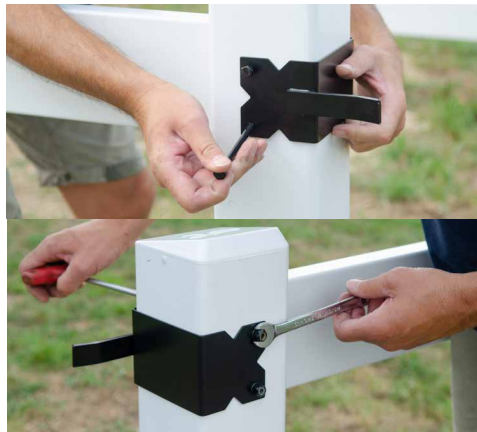
Fix the lock part on the gate with the washers and nuts.



Tighten the nuts on the lock mechanism as well. Beware that the protruding plate is on the top for easy opening of the gate.



Mark and drill the holes of the lock part on the gate with drill size 8mm.



Install the lock part on the left gating.



When the locks and hinges are installed you can fill the holes surrounding the posts with concrete. Leave a bit of space to fill with dirt/ grass later.



Fill the posts about 1/3 with concrete. Use a funnel for easy pouring.



Place the rebar rods in the posts and make sure it does not touch the bolts of the hinge.



Now fill the rest of the posts up to 3cm from the top with concrete. Make sure to vibrate out any airpockets in the concrete.



The rebar should be completely submerged under the concrete to prevent rust. Let it set completely before hanging the gates.



Unscrew the outer bolts from the hinges and hang the gates on the wirethreads of the hinge.



Add the second bolt and use the position of the 2 bolts to level the gates and set them exactly so the space between the gates and posts the same.



For the droppin set you dig a hole right in front of the gate wing that needs to stay in place when opening just 1 gatewing.



Place the concrete foot in the ground. make sure the long hole runs in the same direction as the fence.



The droppin will be installed on the outside of the gate so the hole in the foot needs to be just outside the line of the closed gate.



Hold the droppin set in the opened position against the gate. The correct height is when the drop rod clears the foot by about 3cm.



Mark the position of the holes and drill the holes (size 2mm).



Fix the droppin set holders against the gate with the screws supplied in the package.



Repeat the process for the other side.



Fill the hole with dirt. At this stage you can still finely adjust the position of the foot.

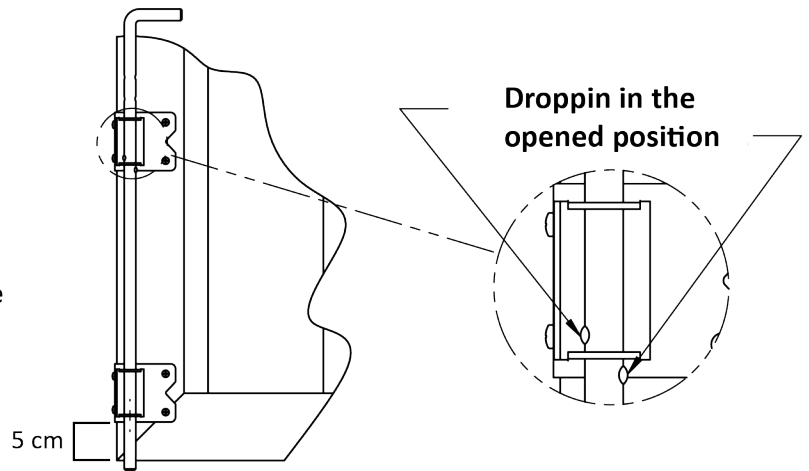


With the droppin in the closed position the gatewing should remain in its position when the other side is opened.

## Dropkin kit instructions

### Installation of the droppin set

1. Install the lower rodholder at 5cm from the underside of the gating.
2. Determine the correct position of the top rodholder using the droprod. Put the droppin in the 'opened' position and place the top holder so that the droprod clears the concrete foot / ground by about 3cm.



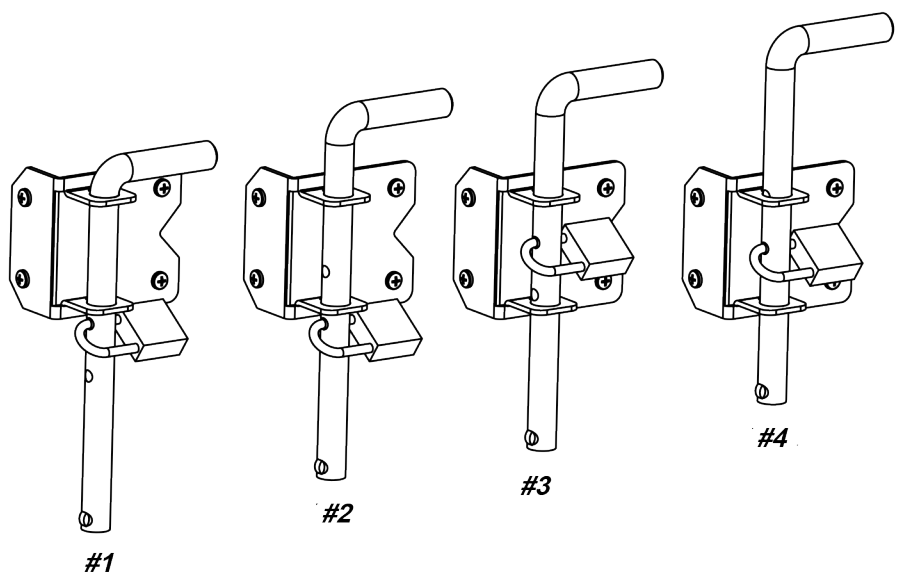
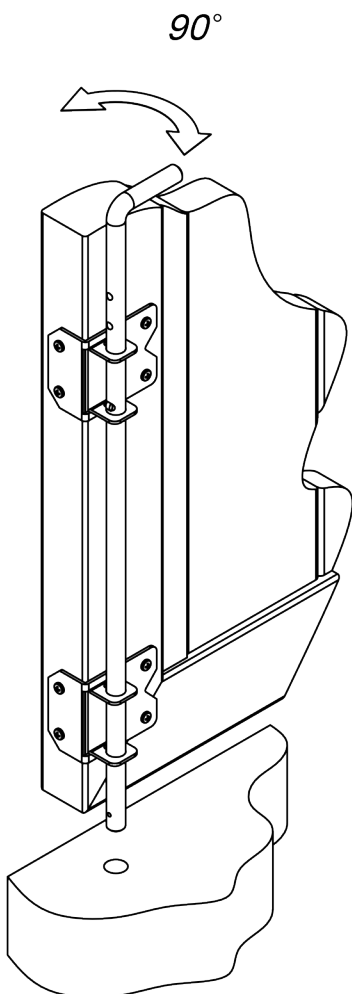
### Operation.

1. To open the gate: Lift the rod up until the first ear on the rod hits the bottom of the top holder. Then twist the rod 90 degrees clockwise. Lift the rod further until the second ear hits the bottom of the holder. Twist the rod back 90 degrees to secure it in the opened position.

2. To close the gate: Twist the rod 90 degrees clockwise and lower the droprod all the way down into the foot or the ground.

### To lock:

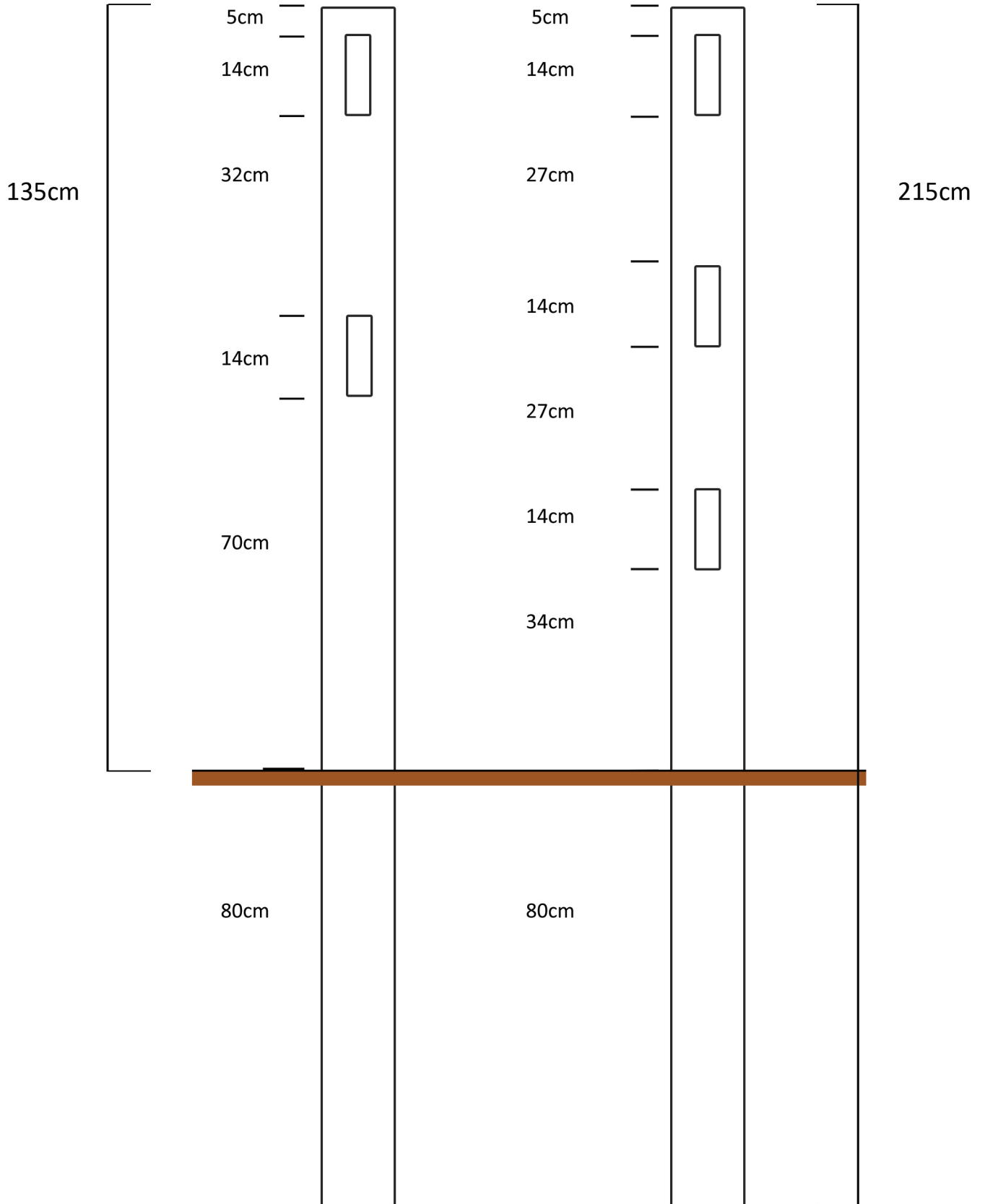
The droppin set can be locked in the following 4 positions:







## Technical dimensions Heritage Fence





[www.heritage-products.nl](http://www.heritage-products.nl)  
[info@heritage-products.nl](mailto:info@heritage-products.nl)  
0031 (0)485 575920

Radioweg 7, 5836 CD Sambeek, Netherlands